

World's Largest 200L



Blue Label

Designed for Industrial and Production Use

Capacity

10L / 20L / 30L / 50L / 100L

200L World's Largest Rotary Evaporator

Unique External Shower
for Optimum Heating



- Recirculates the bath media for even heating

Sampling Port
with Optional PTFE Plug



- Remove and add samples easily without disassembling the flask.

Reinforced PTFE Mechanical Seal and Bearing



- Eliminates shredding or failing of bearing (Ceramic Sheet/Carbon Filled PTFE)
- Great for 24/7 Operation
- AG! Designed Mechanism; utilizes different thermal expansion coefficients to create a tight, durable, long lasting seal that actually tightens with use.
- (SUS/PTFE/Glass)

Flask Handling Cart for 50L, 100L and 200L Models

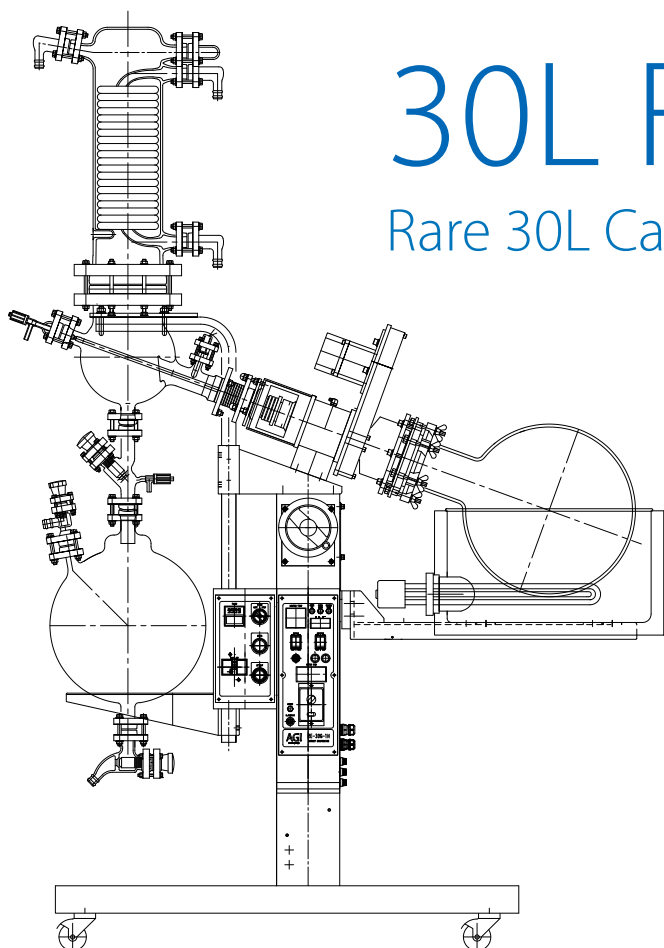


- No need to wait for cool down
- Safely transport the flask

- Easily empty material from flask
- Easy Cleaning

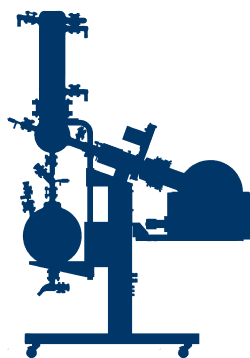
30L Flask

Rare 30L Capacity at a Competitive Price!



Size comparison

20L



30L



Great Value!

Same shassis

Specification

No.	Equipment description	Rotation Flask 20L	Rotation Flask 30L	Rotation Flask 50L	Rotation Flask 100L	Rotation Flask 200L
		RE1-20G-1HP	RE1-30G-1HP	RE1-50G-1HP	RE1-100G-1HP	RE-200G-1H
Ascending						
1	Bath Lift	Hand Lift	Hand Lift	Hydraulic Lift	Hydraulic Lift	Hydraulic Lift
2	Circulation Pump (for shower)	Yes	Yes	Yes	Yes	Yes
3	Dimension	1110W * 650D * 2150H	1515W * 650D * 2200H	1940W * 900D * 2900H	2050W * 900D * 2970H	2355W * 900D * 3520H
4	Condensate Area	0.6 m ²	1 m ²	1.25 m ²	2.3 m ²	4.0 m ²
5	Rotation Speed	0 ~ 120 rpm	0 ~ 120 rpm	12 ~ 120 rpm	12 ~ 120 rpm	0 ~ 60 rpm
6	Receiving Flask	10 L	20 L	20 L	30 L	50 L
7	RPM indicator	Digital Display				
8	Vacuum (Ultimate Pressure)	133 Pa (1 torr)	133 Pa (1 torr)	133 Pa (1 torr)	133 Pa (1 torr)	667 Pa (5 torr)
9	Temp. Range Heating Bath	Digital : 20 ~ 90 °C (Water Bath) / Digital : 20 ~ 200 °C (Oil Bath)				
10	Heater	Total 4kW (main 2kW + sub 2kW)	Total 4kW (main 2kW + sub 2kW)	Total 10kW (main 5kW + sub 5kW)	Total 12kW (main 6kW + sub 6kW)	Total 12kW (main 6kW + sub 6kW)
11	Temp. Control	PID from main heater, ON/OFF Control				
12	Overheat Cut-off Protection	Yes				
13	Power Source	AC200V 3 phase, 20A	AC200V 3 phase, 20A	AC200V 3 phase, 30A	AC200V 3 phase, 40A	AC200V 3 phase, 50A

※ Descending versions and explosion proof models are available. Please contact AG! for more information.

Customized Configuration Available!

Together we can work to find the perfect solution to suit your application requirements.

AG!
Asahi Glassplant Inc.

Asahi Glassplant Inc.

1978 Takahama, Arao, Kumamoto,
864-0025 JAPAN

Tel : +81-968-68-2121

URL www.agi.co.jp

E-mail info@agi.co.jp



Made in Japan

ASAHI150702
Asahi Glassplant Inc.